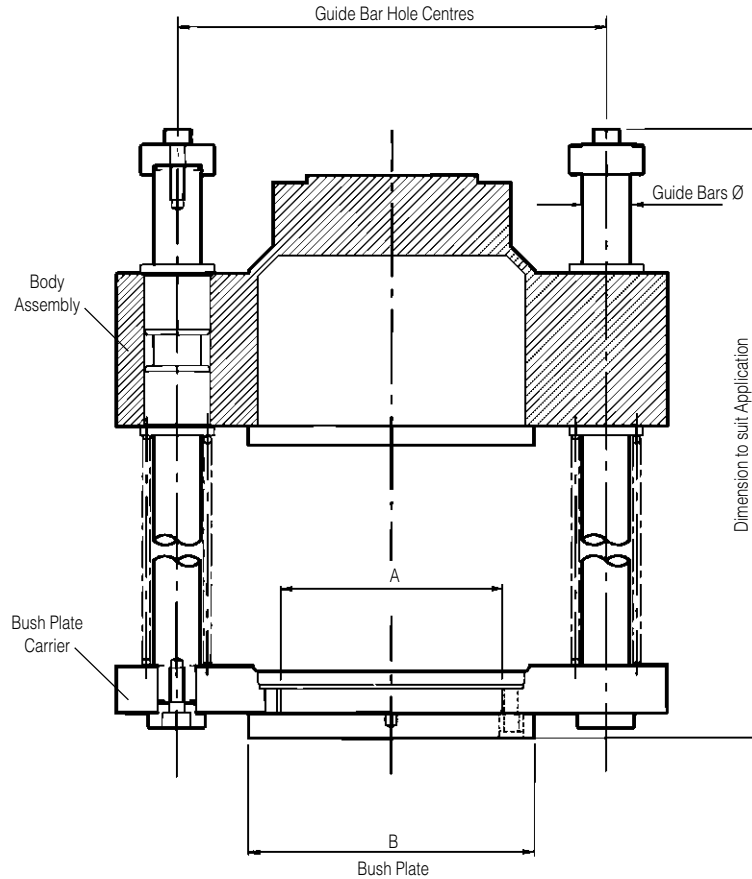


FLOATING BUSH PLATE ASSEMBLY



30 Range

Main Body Assembly	Guide Bar Hole Centres	A	B	Guide Bar Ø
30 BC 21 FBPA	150.0	78.0	112.0	20.0
30 BC 24 FBPA	150.0	78.0	112.0	20.0
30 CD 30 FBPA	175.0	103.0	137.0	20.0
30 CD 36 FBPA	175.0	103.0	137.0	20.0
30 DE 42 FBPA	200.0	116.0	150.0	20.0

40 Range

Main Body Assembly	Guide Bar Hole Centres	A	B	Guide Bar Ø
40 DE 32 FBPA	225.0	116.0	150.0	25.0
40 EF 42 FBPA	225.0	116.0	150.0	25.0
40 EG 54 FBPA	300.0	160.0	225.0	25.0
40 FH 81 FBPA	300.0	160.0	225.0	25.0

50 Range

Main Body Assembly	Guide Bar Hole Centres	A	B	Guide Bar Ø
50 FG 32 FBPA	275.0	160.0	195.0	35.0
50 HK 42 FBPA	350.0	220.0	255.0	35.0
50 LN XX FBPA	500.0	295.0	330.0	35.0